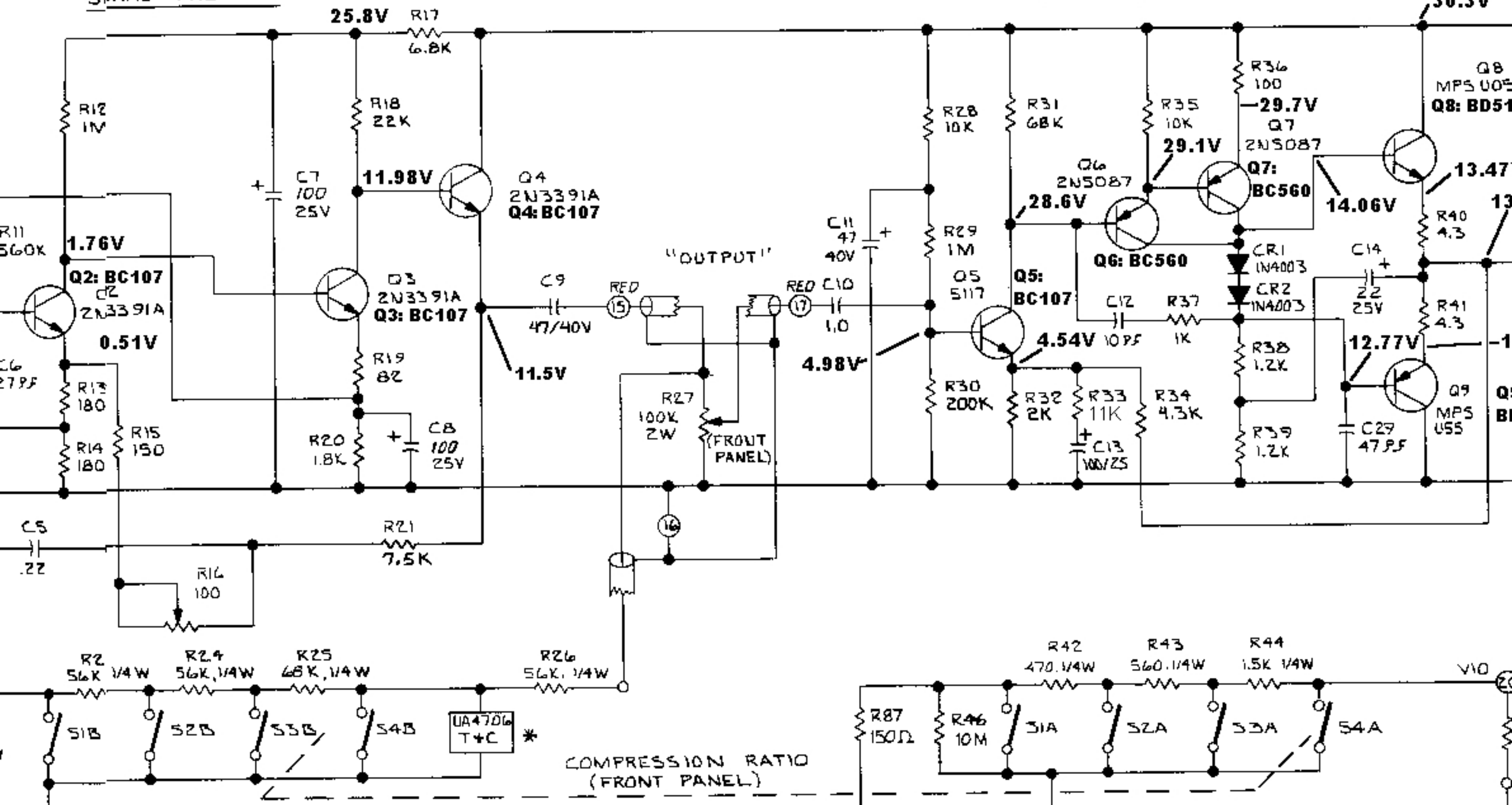
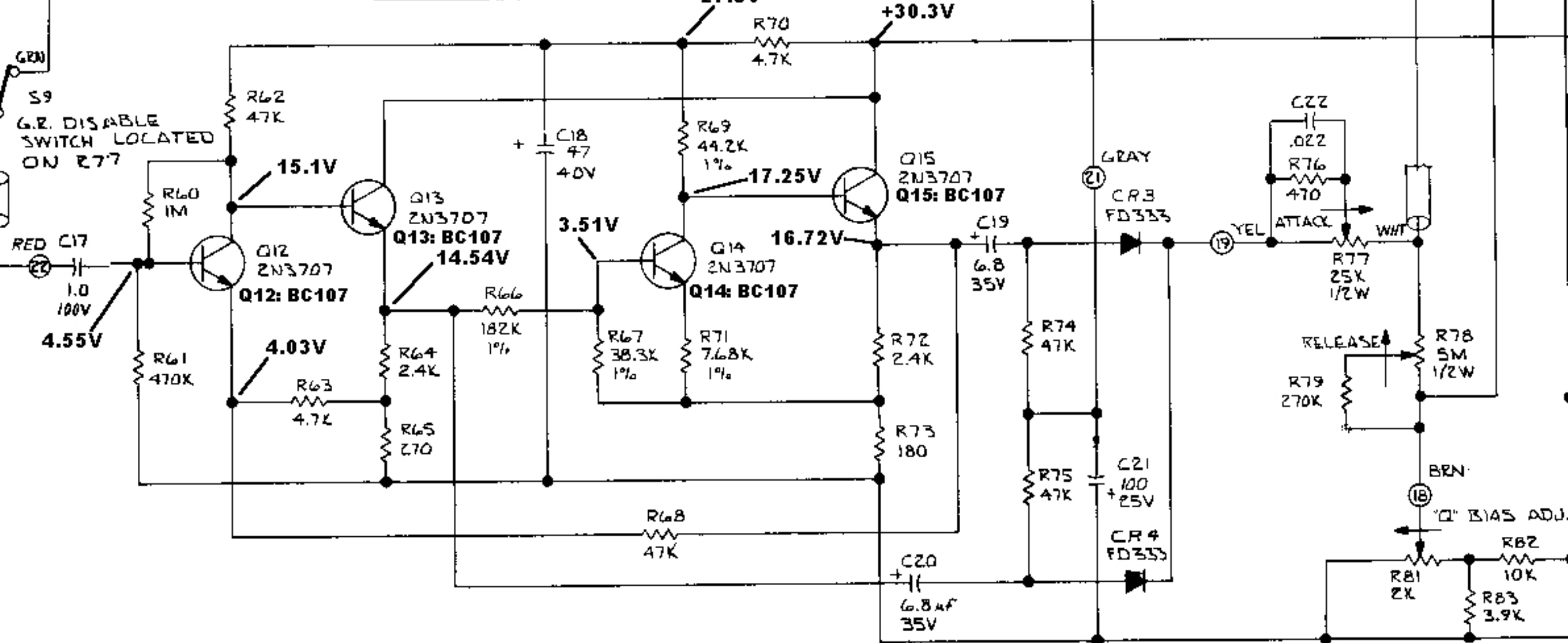


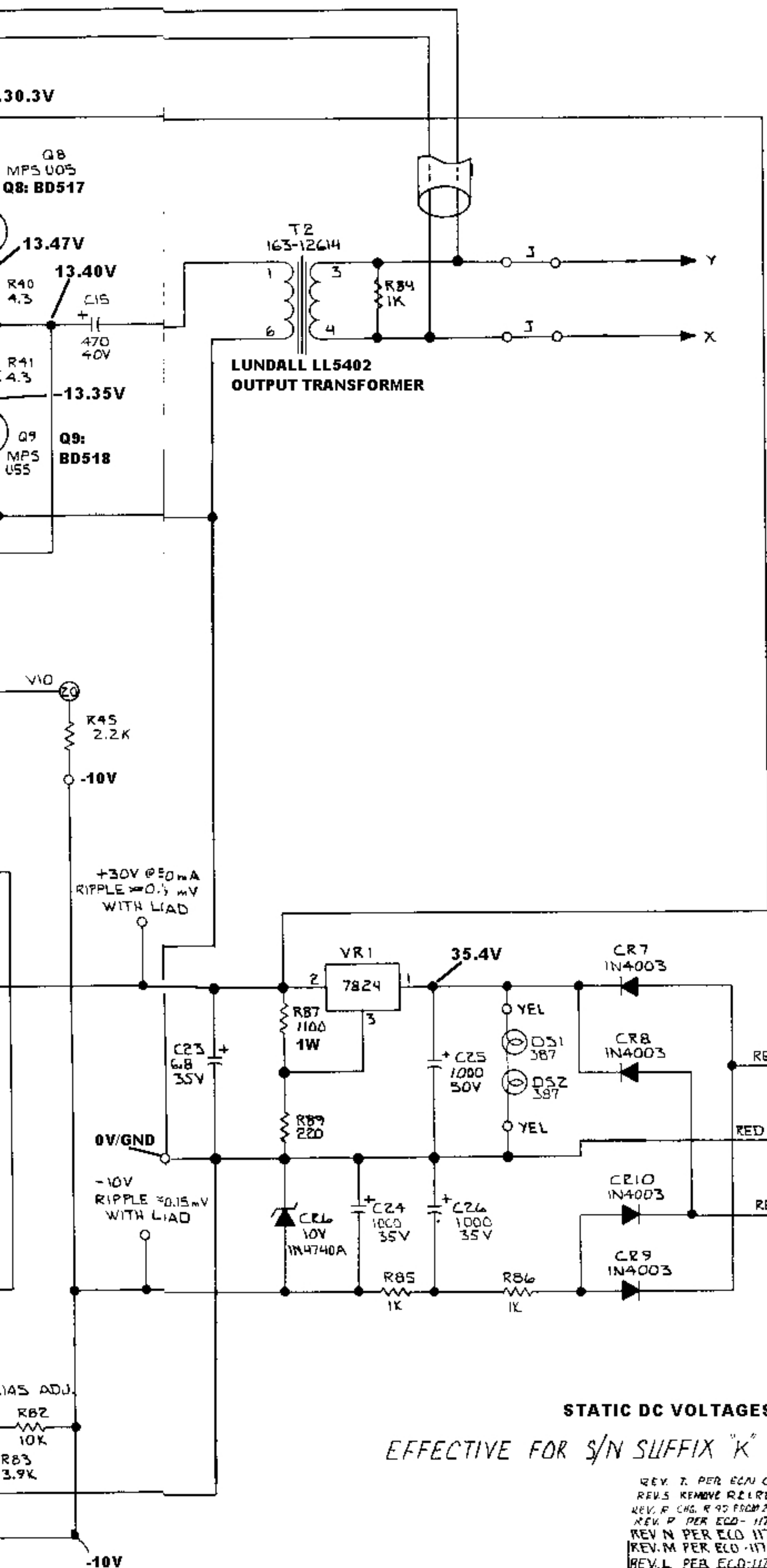
SIGNAL PRE-AMP

SIGNAL LINE AMP



GR CONTROL AMP





- NOTES: UNLESS OTHERWISE SPECIFIED
1. ALL RESISTOR VALUES ARE IN OHMS
1/2 W ± 5%
 2. ALL CAPACITOR VALUES ARE IN MICROFARADS
 3. SWITCHES ARE NORMALLY OPEN
 4. Q1 AND Q10 ARE SELECTED
 5. Q12, Q13 AND Q15 - H.F.E. 250 OR ABOVE
 - 6 * SYMBOL INDICATES FACTORY SET VALUE

STATIC DC VOLTAGES ADDED 23-10-02 J.E.P.

EFFECTIVE FOR S/N SUFFIX "K"

- REV F ADD 1.8K RESISTOR PER ECO-1176-015 EFFECTIVE SER# 6578
- REV E CHANGE SCHEMATIC TO INCLUDE ALTERNATE OUTPUT (EXPORT) TRANSFORMER. 1-8-79 R.P.M.
- REV D PER ECO-1176-015 8-23-78 R.P.M.
- REV C PER ED 0114 4-1-76 D.M.M.
- REV B PER ED 0112 3-18-76 D.M.M.
- REV A CHANGED FOR VALUE CORRECTIONS ONLY 7-2-75 L.E.

- REV Z PER ECO-1176-031 12-11-81 R.P.M.
- REV Y REMOVE R2, R88, CHG R81 FROM 2200 TO 1100 OHMS 12-21-81
- REV X CHG R90 FROM 2.4K TO 1.2K FROM LF356N 8-15-85 M.G.
- REV P PER ECO-1176-0036 1-2-85 M.R.M.
- REV N PER ECO-1176-035 11-16-82 R.P.M.
- REV M PER ECO-1176-032 10-14-82 R.P.M.
- REV L PER ECO-1176-031 2-11-81 R.P.M.
- REV K PER ECO-1176-030 9-26-80 R.P.M.
- REV J PER ECO-1176-027 & 028 & 024 3-31-80 R.P.M.
- REV I PER ECO-1176-024 1-29-80 R.P.M.
- REV H CHANGE FUSE VALUE 6-29-79 R.P.M.
- REV G CHANGE CIRCUITRY 1176 L-N SUFFIX "F" BECOMES SUFFIX "G" 3-24-79 R.P.M.

UNITED RECORDING ELECTRONICS INDUSTRIES		SOLID STATE LIMITING AMPLIFIER MODEL 1176 L-N	
DEPARTMENT	LOS ANGELES CALIFORNIA	DATE	3-15-73 R119147
CHECKED	L.E.	ISSUE	